



HE2aR 250V AC/170V DC 100A-250A

Class of Operation: aR

保护特性: aR

Standard/ 标准: GB/T 13539.4, IEC 60269-4, UL 248-13

INTERRUPTING CAPACITY / 分断能力:

80,000 A at 250V AC
50,000 A at 170V DC

TECHNICAL PARAMETERS/ 技术参数:

| PART NO. 目录编号 | CURRENT RATING 额定电流 | SAFETY APPROVALS 安全认证 | |
|------------------|------------------------|--------------------------|-----|
| | | cURus | CCC |
| HE2aR100 | 100A | ○ | ○ |
| HE2aR125 | 125A | ○ | ○ |
| HE2aR160 | 160A | ○ | ○ |
| HE2aR200 | 200A | ○ | ○ |
| HE2aR250 | 250A | ○ | ○ |

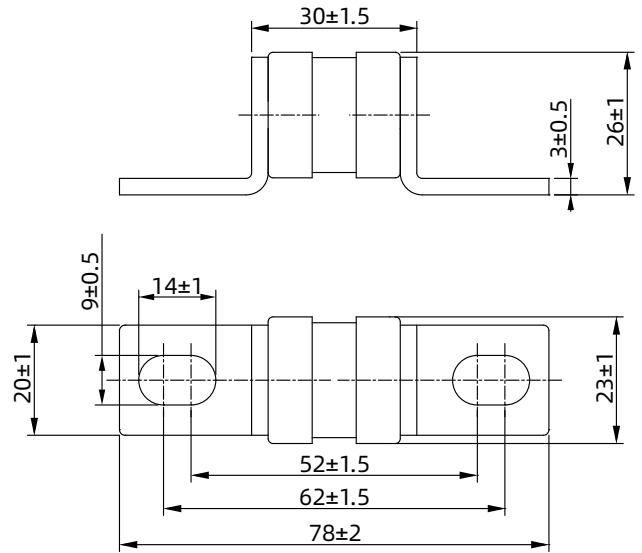
● DENOTES FOR APPROVAL
○ DENOTES FOR PENDING

● 表示已取得安全认证
○ 表示正在申请安全认证

Dimensions/ 尺寸:

Unit 单位: mm

Type: HE2aR Part No.: HE2aR (amp rating)



HE2aR 平均 I-T 曲线图 (仅供参考)

AVERAGE I-T CHARACTERISTICS CURVE
(FOR REFERENCE)

